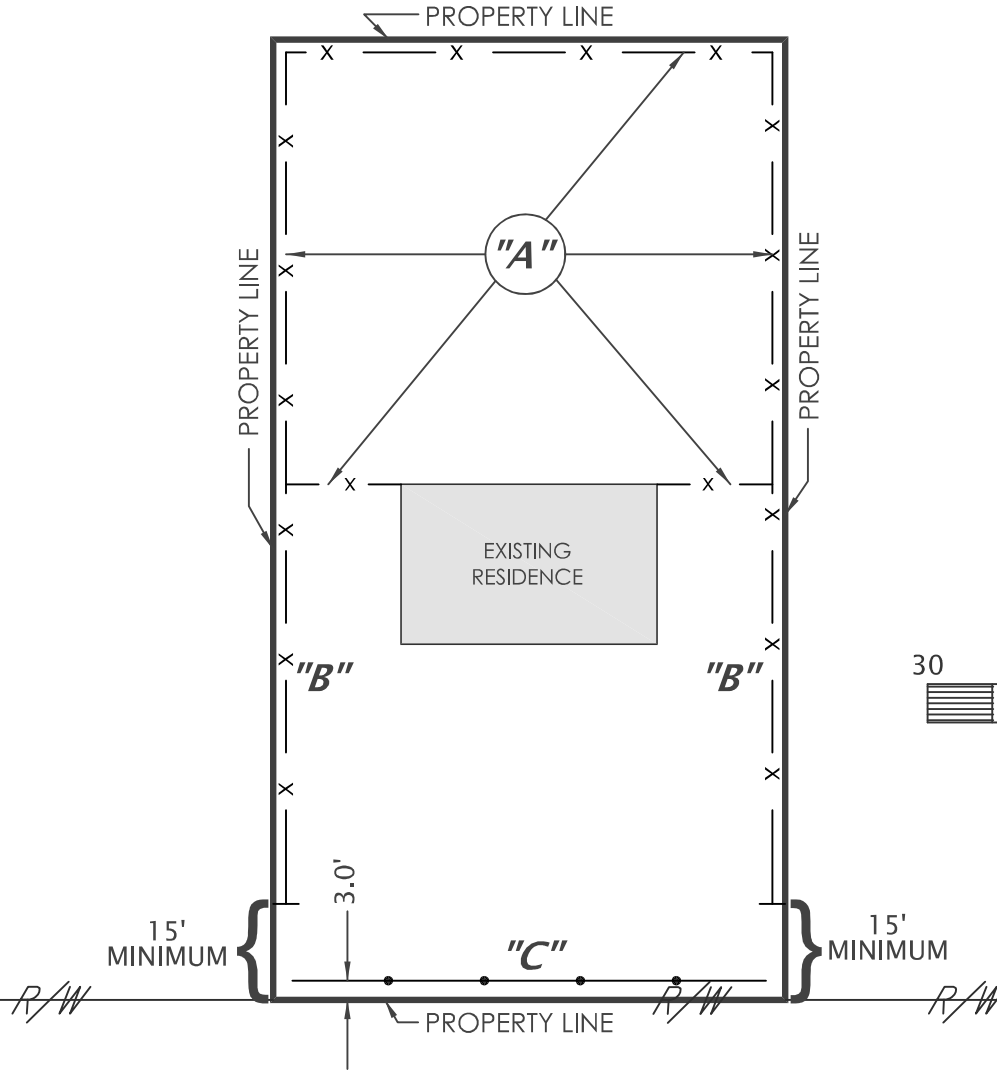
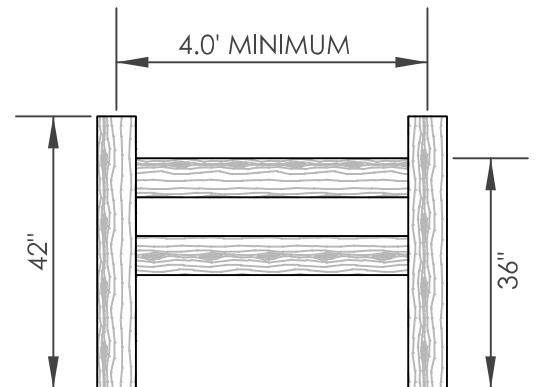


CITY OF SHELBY
SAMPLE FENCE SITE PLAN



MAIN STREET



- "A" --- 6' PRIVACY FENCE
4' FENCE
- "B" --- FENCE NO HIGHER THAN 42"
- "C" --- ORNAMENTAL FENCE (SPLIT RAIL - 1462.01 b)
NO MORE THAN TWO (2) HORIZONTAL RAILS
HORIZONTAL RAILS MUST BE AT LEAST SIX
INCHES (6") APART, UNLESS THEY CRISSCROSS.

OWNER: _____

 ADDRESS: _____
